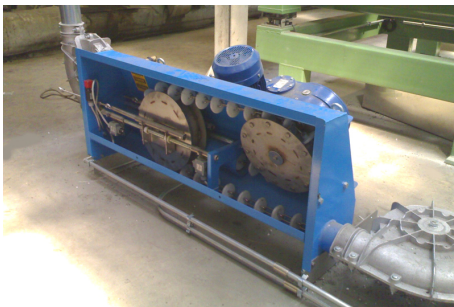
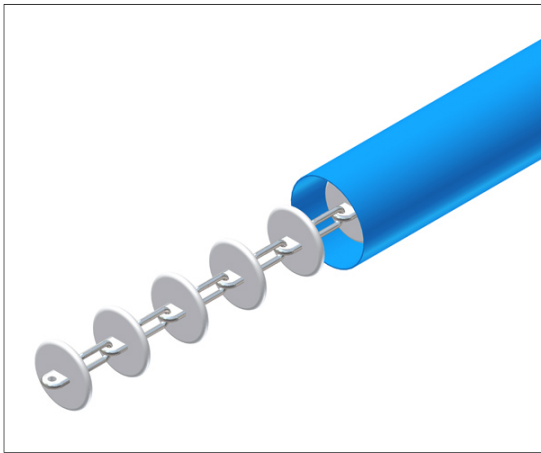
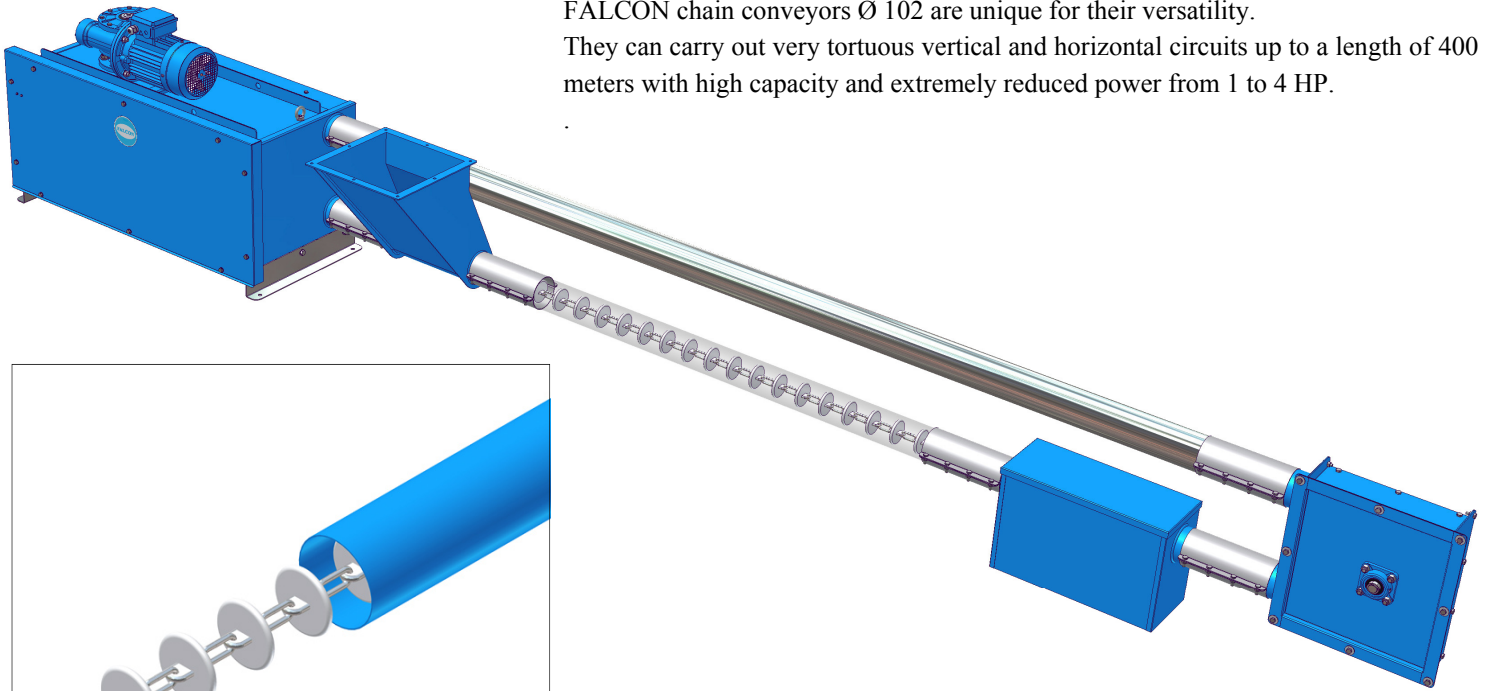




CHAIN TRANSPORT SYSTEMS

Ø 60 / 102

FALCON chain conveyors Ø 102 are unique for their versatility. They can carry out very tortuous vertical and horizontal circuits up to a length of 400 meters with high capacity and extremely reduced power from 1 to 4 HP.



EXAMPLES OF INSTALLATIONS:

